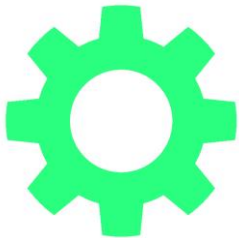


# 3D Water Mist Fireplace

A beautiful fireplace adds a glow, a warm ambiance to any room, home, or business. Some people view the ash, smoke, and carbon emissions of live fireplaces as a drawback and opt for other options instead.

- No harmful emissions, just clean, fresh air.
- **No mess, no smoke residue, and no clean up**
- Eco-friendly
- Cool to the touch. **Safe for use around kids and pets**
- Ventless Option; the flame can be open on all sides.
- Easy operate: **uses tap water to create vapor**, and runs on minimal electricity
- Customizable to your home. Beautiful, realistic flames



**Easy Install**



**Ventless fireplace**



**Safety**



**Runs on water**

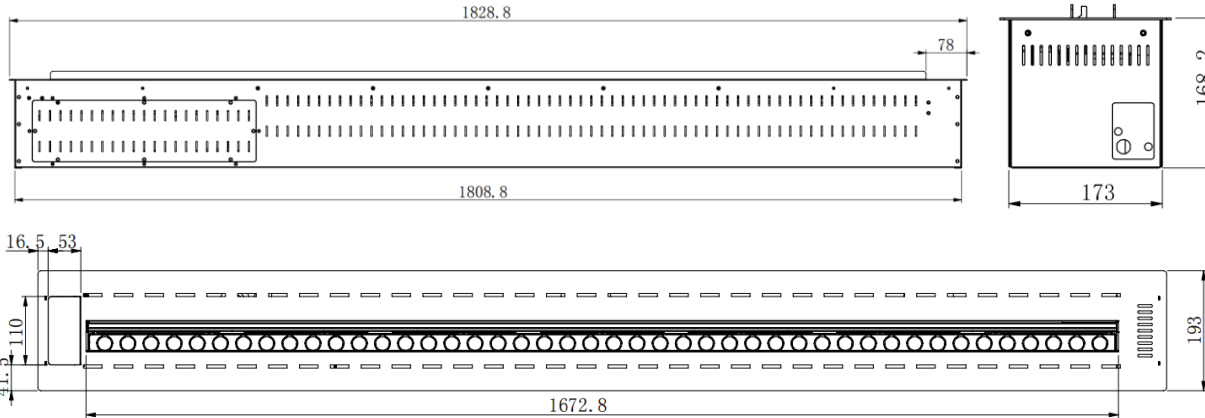
# Model-sT72

## Burner Specifications

- #304 stainless steel material
- Enable to connect with water tap directly
- Automatic filling function



Size	A (in)	B (in)	C (in)
WT72	72	7.6	6.6
Size	A (cm)	B (cm)	C (cm)
WT72	182.9	19.3	16.8



## Standard Feature



- 7 Color Change
- 2.4G Wireless Remote control function

## Optional Feature



- Control fireplace from APP
- Compatible with google /Alexa to make it voice enabled
- Integrate with smart home system (Lutron, Creston, KNX, etc)

# Model-sT72

## NATURAL AND COLORED FLAMES

Standard 7 colors change :

- Blue.
- Green.
- Red.
- Orange.
- Purple.
- Light Blue.
- Yellow.



# Model-sT72

## ALL YOU NEED IS WATER

The only fuel you need is water. Tap into the beauty of realistic flames in a totally unique fire. Use pure water vapor to simulate dancing flames with zero heat or fuels.

The tank and integrated pump allow for up to 50 hours of run time. Enjoy the glow of natural orange flames, choose from over 30 brilliant shades of colored flames.

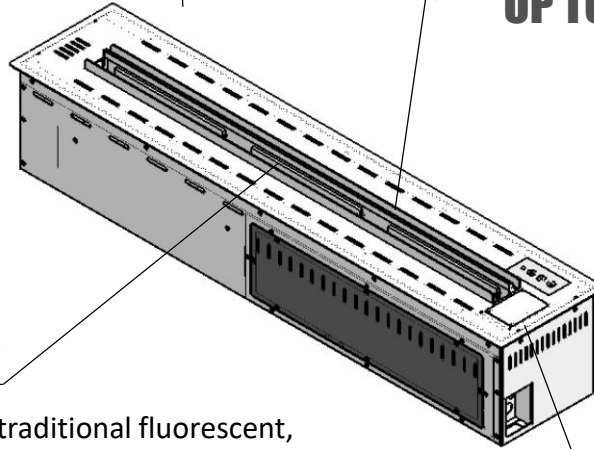
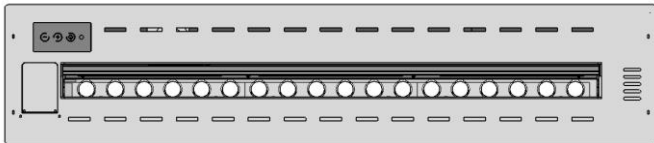
## UP TO 50 HOURS RUN TIME

## Waterproof LED Strip Light

LED strips to use 50% less energy than traditional fluorescent, incandescent, and halogen lights. Full control over the color.

With automatic filling function, the fireplace will allow for a repeatable, reliable and consistent fill with each cycle based on volume. Quick and set your hand free

## REFILLING SYSTEM



# Model-sT72

## Burner Specifications

<b>Tank Capacity</b>	10.8 liters	<b>Electrical Connection</b>	AC100-240v Current :1-6A
<b>Run Time</b>	28-37 hours	<b>Working Frequency</b>	50-60 Hz.
<b>Weight</b>	52Kgs 114.64 lbs	<b>Flue</b>	Not required
<b>Application</b>	For indoor use only	<b>Flame Color</b>	7 Colors – Waterplace

## Cavity Measurements – Site-Built Enclosures

