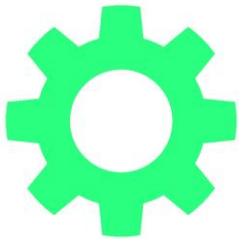




A beautiful fireplace adds a glow, a warm ambiance to any room, home, or business. Some people view the ash, smoke, and carbon emissions of live fireplaces as a drawback and opt for other options instead.

- No harmful emissions, just clean, fresh air.
- **No mess, no smoke residue, and no clean up**
- Eco-friendly
- Cool to the touch. **Safe for use around kids and pets**
- Ventless Option; the flame can be open on all sides.
- Easy operate: **uses tap water to create vapor**, and runs on minimal electricity
- Customizable to your home. Beautiful, realistic flames



Easy Install



Ventless fireplace



Safety



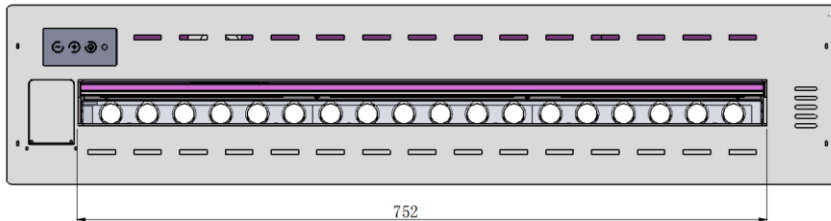
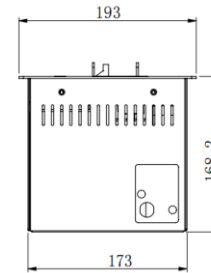
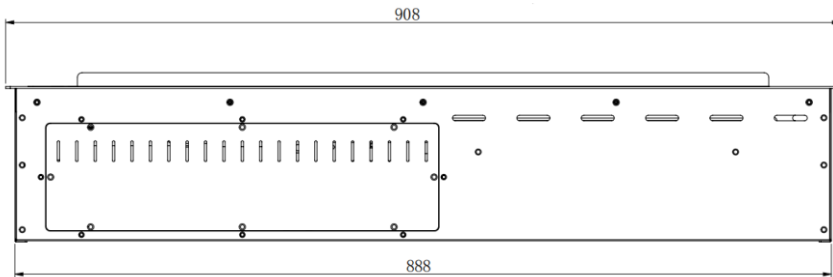
Runs on water

Model-st36

Burner Specifications

- #304 stainless steel material
- Enable to connect with water tap directly
- Automatic filling function

Size	A (in)	B (in)	C (in)
WT36	36	7.6	6.6
Size	A (cm)	B (cm)	C (cm)
WT36	908	19.3	16.8



Standard Feature



- 7 Color Change
- 2.4G Wireless Remote control function

Optional Feature



- Control fireplace from APP
- Compatible with google /Alexa to make it voice enabled
- Integrate with smart home system (Lutron, Creston, KNX, etc)

Model-st36

NATURAL AND COLORED FLAMES

Standard 7 colors change :

- Blue.
- Green.
- Red.
- Orange.
- Purple.
- Light Blue.
- Yellow.



Model-st36

ALL YOU NEED IS WATER

The only fuel you need is water. Tap into the beauty of realistic flames in a totally unique fire. Use pure water vapor to simulate dancing flames with zero heat or fuels.

The tank and integrated pump allow for up to 50 hours of run time. Enjoy the glow of natural orange flames, choose from over 30 brilliant shades of colored flames.

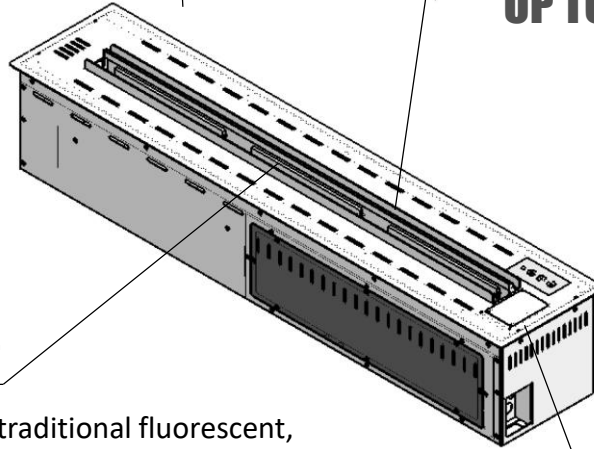
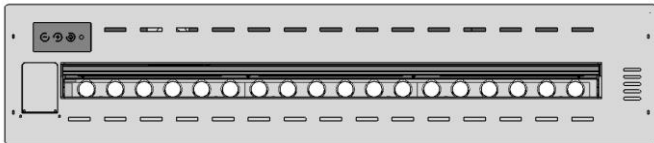
UP TO 50 HOURS RUN TIME

Waterproof LED Strip Light

LED strips to use 50% less energy than traditional fluorescent, incandescent, and halogen lights. Full control over the color.

With automatic filling function, the fireplace will allow for a repeatable, reliable and consistent fill with each cycle based on volume. Quick and set your hand free

REFILLING SYSTEM



Model-st36

Burner Specifications

Tank Capacity	4 liters	Electrical Connection	AC100-240v Current :1-6A
Run Time	24-32 hours	Working Frequency	50-60 Hz.
Weight	25Kgs 55 lbs	Flue	Not required
Application	For indoor use only	Flame Color	7 Colors – Waterplace

Cavity Measurements – Site-Built Enclosures

